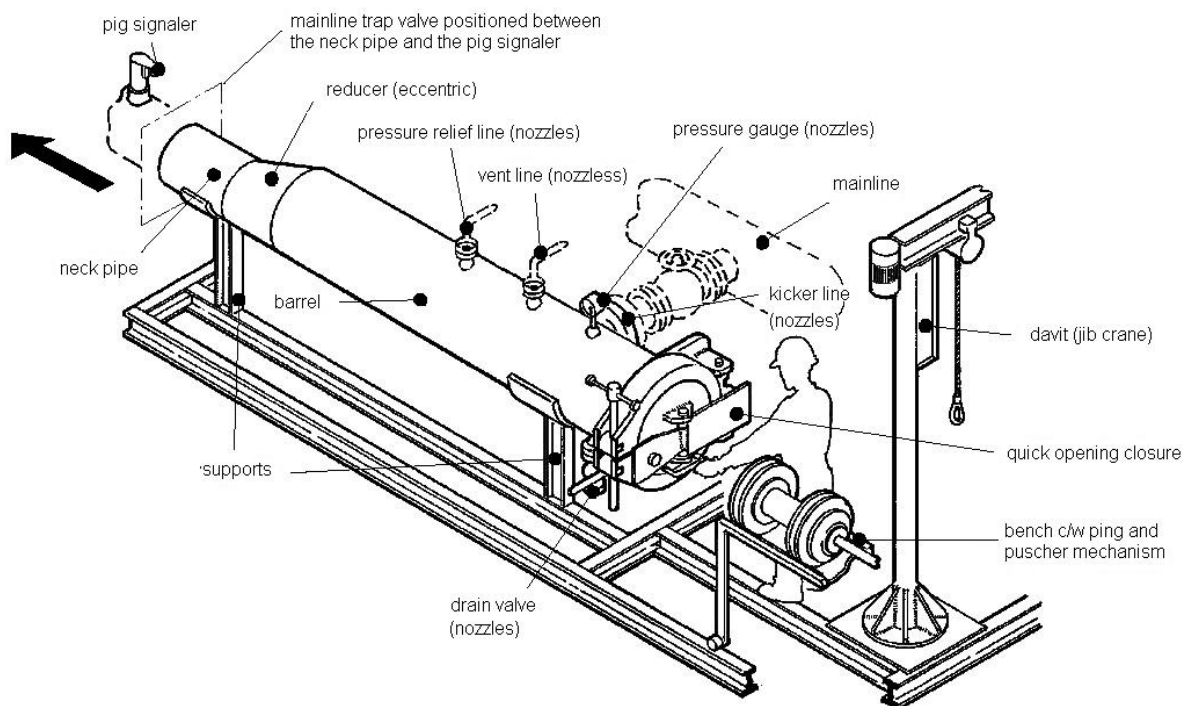



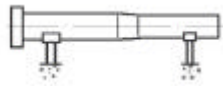
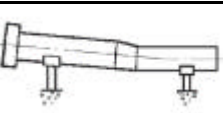
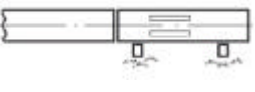
PIG & SPHERE TRAP LAUNCHERS/RECEIVERS

Pig and Sphere traps are fitted as permanent installations at both ends of most cross-country and storage terminal pipelines where there is a requirement for cleaning, product separation or evacuation, and purging. The traps are suitable for use of transportation pipelines carrying crude oil, refined products, natural gas, LPG, chemical, LNG, vegetable oils and effluent.

The design of Traps is specific to each application: Pressure rating to Class 1500, flanged or weld prepared terminations, stress relieving, and radiographic inspection. All our' s scraper traps use safe working Rapid Opening Closures to ensure simple and fast handling of pigs and spheres. Completed traps are hydrostatically pressure tested to requirements of the design code. Special designs are available for use on bidirectional pipelines, and for automatic or manually operated multi-sphere holding launch traps



Type Of Traps

	Vertical
	Horizontal
	Inclined sphere launcher
	Temporary receiver

Multiple Launching With Flaps Or Fingers

Mechanical Fingers are the most popular equipment for multiple launching of spheres and pigs. For Spheres/Pigs above 20" is suggested to use **flaps** which are designed to absorb the high loads that a large sphere, weighing up to 500 kilos, can impose

