

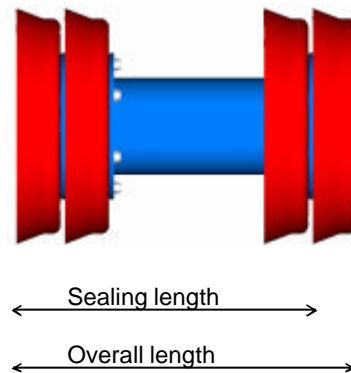


C4C

Product: Chameleon Cup Pig
Grouping: Separation and Batching
Version: 1.0

General function and application:
 For long-run removal of construction debris, liquid evacuation, product separation and batching.

NS	Sealing Length	Overall Length	Kg. Weight (approx.)
12	399	481	39
14	509	595	42
16	505	597	45
18	575	669	70
20	572	673	73
22	667	768	109
24	667	768	115
26	817	924	146
28	817	927	154
30	928	1043	206
32	928	1050	216
34	1055	1183	280
36	1055	1173	292
38	1080	1198	367
40	1083	1198	381
42	1180	1312	470
44	1250	1350	486
46	1356	1480	630
48	1346	1470	650



Feature	Standard Fitment		Standard Material	Options Available*
	Yes	No		
Body	v		Carbon Steel	v
Sealing discs		v	Omnithane®	v
Cups	v		Omnithane®	v
Guide discs		v	Omnithane®	v
PU spacers		v	Omnithane®	
Steel spacers	v		Carbon steel	v
Circular brushes		v	Stainless steel wire	v
Spring mounted brushes		v	Stainless steel wire	v
Gauge plates		v	Aluminium	v
Magnets		v	Hard ferrite	v
Transmitter housing		v	Carbon steel	v
Bumper nose		v	Omnithane®	v
By-pass ports		v	-n/a-	v
Jetting head		v	Carbon steel	v

* "options for pipeline pigs" data sheet.



C4CG

Product: Chameleon Cup Pig

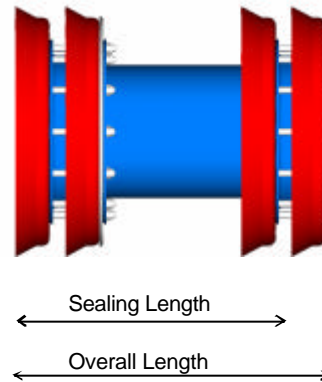
Grouping: Gauging and commissioning

Version: 1.0

General function and application:

For pre-commissioning duties, used for proving the roundness of pipelines and removal of construction debris.

NS	Sealing Length	Overall Length	Kg. Weight (approx.)
12	399	481	40
14	509	595	43
16	505	597	46
18	575	669	71
20	572	673	76
22	667	768	112
24	667	768	119
26	817	924	151
28	817	927	160
30	928	1043	212
32	928	1050	223
34	1055	1183	287
36	1055	1173	301
38	1080	1198	375
40	1083	1198	390
42	1180	1312	482
44	1250	1350	501
46	1356	1480	644
48	1346	1470	666



Feature	Standard Fitment		Standard Material	Options Available*
	Yes	No		
Body	v		Carbon Steel	v
Sealing discs		v	Omnithane®	v
Cups	v		Omnithane®	v
Guide discs		v	Omnithane®	v
PU spacers		v	Omnithane®	
Steel spacers	v		Carbon steel	v
Circular brushes		v	Stainless steel wire	v
Spring mounted brushes		v	Stainless steel wire	v
Gauge plates	v		Aluminium	v
Magnets		v	Hard ferrite	v
Transmitter housing		v	Carbon steel	v
Bumper nose		v	Omnithane®	v
By-pass ports		v	-n/a-	v
Jetting head		v	Carbon steel	v

* "options for pipeline pigs" data sheet.



C2CM

Product: Chameleon Cup Pig

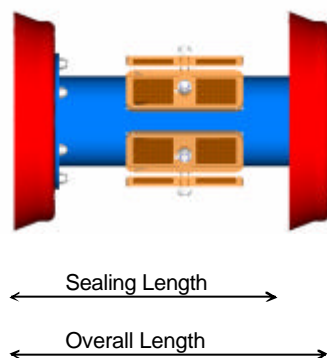
Grouping: Cleaning

Version: 1.0

General function and application:

For removal of deposits from pipeline walls. Ideal for short-run pre-commissioning and operational cleaning.

NS	Sealing Length	Overall Length	Kg. Weight (approx.)
14	509	595	48
16	505	597	54
18	575	669	78
20	572	673	106
22	667	768	131
24	667	768	156
26	817	924	181
28	817	927	206
30	928	1043	234
32	928	1050	260
34	1055	1183	284
36	1055	1173	309
38	1080	1198	339
40	1083	1198	364
42	1180	1312	389
44	1250	1350	414
46	1356	1480	441
48	1346	1470	466



Feature	Standard Fitment		Standard Material	Options Available*
	Yes	No		
Body	v		Carbon Steel	v
Sealing discs		v	Omnithane®	v
Cups	v		Omnithane®	v
Guide discs		v	Omnithane®	v
PU spacers		v	Omnithane®	
Steel spacers		v	Carbon steel	v
Circular brushes		v	Stainless steel wire	v
Spring mounted brushes		v	Stainless steel wire	v
Gauge plates		v	Aluminium	v
Magnets	v		Hard ferrite	v
Transmitter housing		v	Carbon steel	v
Bumper nose		v	Omnithane®	v
By-pass ports		v	-n/a-	v
Jetting head		v	Carbon steel	v

* "options for pipeline pigs" data sheet.



C4CCS

Product: Chameleon Cup Pig

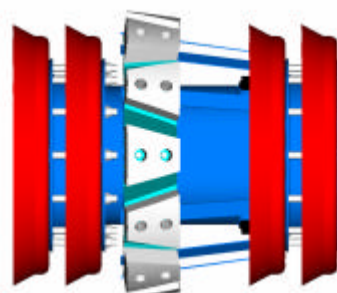
Grouping: Cleaning

Version: 1.0

General function and application:

For removal of deposits from pipeline walls. Ideal for medium-run pre-commissioning and operational cleaning.

NS	Sealing Length	Overall Length	Kg. Weight (approx.)
12	399	481	30
14	509	595	48
16	505	597	52
18	575	669	80
20	572	673	85
22	667	768	126
24	667	768	134
26	817	924	170
28	817	927	180
30	928	1043	237
32	928	1050	250
34	1055	1183	325
36	1055	1173	340
38	1080	1198	430
40	1083	1198	447
42	1180	1312	550
44	1250	1350	570
46	1356	1480	732
48	1346	1470	756



← Sealing Length →

← Overall Length →

Feature	Standard Fitment		Standard Material	Options Available*
	Yes	No		
Body	v		Carbon Steel	v
Sealing discs		v	Omnithane®	v
Cups	v		Omnithane®	v
Guide discs		v	Omnithane®	v
PU spacers		v	Omnithane®	
Steel spacers	v		Carbon steel	v
Circular brushes		v	Stainless steel wire	v
Spring mounted brushes	v		Stainless steel wire	v
Gauge plates		v	Aluminium	v
Magnets		v	Hard ferrite	v
Transmitter housing		v	Carbon steel	v
Bumper nose		v	Omnithane®	v
By-pass ports	v		-n/a-	v
Jetting head		v	Carbon steel	v

* "options for pipeline pigs" data sheet.



CB-6

Product: Chameleon Bi-directional Pig

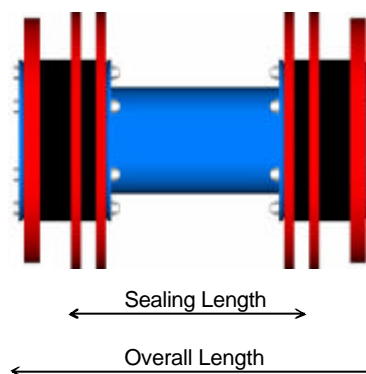
Grouping: Separation and batching

Version: 1.0

General function and application:

For medium-run, bi-directional, separation and batching of products in an operational pipeline. Also useful for displacement, swabbing and line clearance duties.

NS	Sealing Length	Overall Length	Kg. Weight (approx.)
12	188	460	23
14	384	566	33
16	384	566	35
18	454	636	59
20	454	636	64
22	520	735	84
24	520	735	92
26	669	885	140
28	669	885	148
30	720	1000	225
32	720	1000	238
34	850	1130	275
36	850	1130	291
38	875	1155	320
40	875	1155	350
42	945	1266	375
44	945	1266	400
46	1116	1442	425
48	1116	1442	450



Feature	Standard Fitment		Standard Material	Options Available*
	Yes	No		
Body	v		Carbon Steel	v
Sealing discs	v		Omnithane®	v
Cups		v	Omnithane®	v
Guide discs	v		Omnithane®	v
PU spacers	v		Omnithane®	
Steel spacers		v	Carbon steel	v
Circular brushes		v	Stainless steel wire	v
Spring mounted brushes		v	Stainless steel wire	v
Gauge plates		v	Aluminium	v
Magnets		v	Hard ferrite	v
Transmitter housing		v	Carbon steel	v
Bumper nose		v	Omnithane®	v
By-pass ports		v	-n/a-	v
Jetting head		v	Carbon steel	v

* "options for pipeline pigs" data sheet.

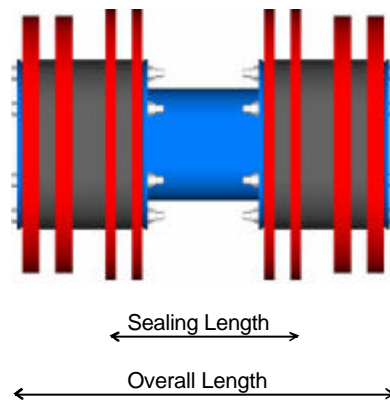


CHB-8

Product: Chameleon Bi-directional Pig
Grouping: Separation and batching
Version: 1.0

General function and application:
 For long-run separation and batching of products in a pipeline. Also useful for displacement, swabbing and line clearance duties.

NS	Sealing Length	Overall Length	Kg. Weight (approx.)
12	108	460	27
14	284	566	38
16	284	566	41
18	354	636	68
20	354	636	76
22	399	735	100
24	399	735	111
26	549	885	162
28	549	885	173
30	560	1000	227
32	560	1000	254
34	690	1130	321
36	690	1130	343
38	715	1155	390
40	715	1155	410
42	766	1266	440
44	766	1266	470
46	936	1442	500
48	936	1442	560



Feature	Standard Fitment		Standard Material	Options Available*
	Yes	No		
Body	v		Carbon Steel	v
Sealing discs	v		Omnithane®	v
Cups		v	Omnithane®	v
Guide discs	v		Omnithane®	v
PU spacers	v		Omnithane®	
Steel spacers		v	Carbon steel	v
Circular brushes		v	Stainless steel wire	v
Spring mounted brushes		v	Stainless steel wire	v
Gauge plates		v	Aluminium	v
Magnets		v	Hard ferrite	v
Transmitter housing		v	Carbon steel	v
Bumper nose		v	Omnithane®	v
By-pass ports		v	-n/a-	v
Jetting head		v	Carbon steel	v

* "options for pipeline pigs" data sheet.

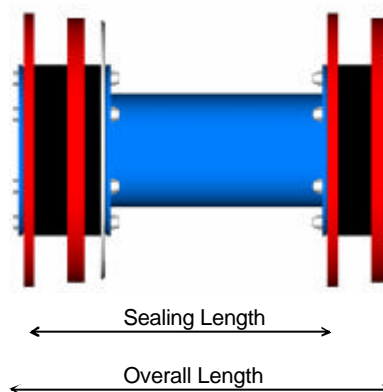


CG-4

Product: Chameleon Bi-directional Pig
Grouping: Gauging and commissioning
Version: 1.0

General function and application:
 For short-run, bi-directional, precommissioning duties. For proving the roundness of pipelines and removal of construction debris.

NS	Sealing Length	Overall Length	Kg. Weight (approx.)
12	370	460	19
14	459	566	28
16	459	566	30
18	529	636	52
20	529	636	56
22	609	735	71
24	609	735	79
26	759	885	125
28	759	885	133
30	840	1000	194
32	840	1000	208
34	970	1130	242
36	970	1130	258
38	995	1155	277
40	995	1155	310
42	1080	1266	317
44	1080	1266	324
46	1251	1442	343
48	1251	1442	386



Feature	Standard Fitment		Standard Material	Options Available*
	Yes	No		
Body	v		Carbon Steel	v
Sealing discs	v		Omnithane®	v
Cups		v	Omnithane®	v
Guide discs	v		Omnithane®	v
PU spacers	v		Omnithane®	v
Steel spacers		v	Carbon steel	v
Circular brushes		v	Stainless steel wire	v
Spring mounted brushes		v	Stainless steel wire	v
Gauge plates		v	Aluminium	v
Magnets		v	Hard ferrite	v
Transmitter housing		v	Carbon steel	v
Bumper nose		v	Omnithane®	v
By-pass ports		v	-n/a-	v
Jetting head		v	Carbon steel	v

* "options for pipeline pigs" data sheet.

PETROSYSTEM Srl



06-04

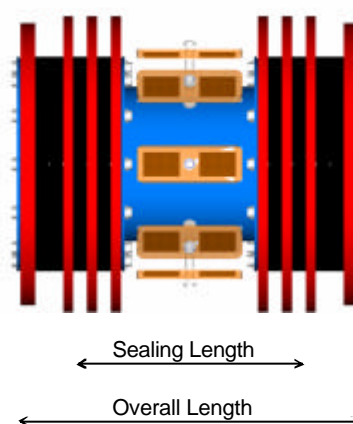


CHSM-8

Product: Chameleon Bi-directional Pig
Grouping: Cleaning
Version: 1.0

General function and application:
 For removal of deposits from pipeline walls. Ideal for high-seal, bi-directional, pre-commissioning and operational cleaning.

NS	Sealing Length	Overall Length	Kg. Weight (approx.)
14	384	566	46
16	384	566	50
18	454	636	83
20	454	636	90
22	520	735	121
24	520	735	134
26	669	885	198
28	669	885	210
30	720	1000	320
32	720	1000	343
34	850	1130	388
36	850	1130	410
38	875	1155	470
40	875	1155	496
42	946	1266	530
44	946	1266	566
46	1116	1442	602
48	1116	1442	640



Feature	Standard Fitment		Standard Material	Options Available*
	Yes	No		
Body	v		Carbon Steel	v
Sealing discs	v		Omnithane®	v
Cups		v	Omnithane®	v
Guide discs	v		Omnithane®	v
PU spacers	v		Omnithane®	v
Steel spacers		v	Carbon steel	v
Circular brushes		v	Stainless steel wire	v
Spring mounted brushes		v	Stainless steel wire	v
Gauge plates		v	Aluminium	v
Magnets		v	Hard ferrite	v
Transmitter housing		v	Carbon steel	v
Bumper nose		v	Omnithane®	v
By-pass ports		v	-n/a-	v
Jetting head		v	Carbon steel	v

* "options for pipeline pigs" data sheet.

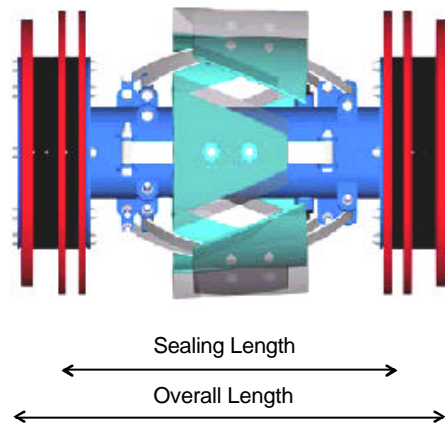


CCS-6

Product: Chameleon Cup Pig
Grouping: Cleaning
Version: 1.0

General function and application:
 For removal of deposits from pipeline walls bi-directional. Ideal for medium-run pre-commissioning and operational cleaning.

NS	Sealing Length	Overall Length	Kg. Weight (approx.)
12	604	754	56
14	633	815	79
16	633	815	84
18	575	761	114
20	695	880	139
22	795	1010	188
24	795	1010	196
26	719	935	253
28	719	935	260
30	935	1233	321
32	935	1233	333
34	935	1233	428
36	935	1233	437
38	935	1233	493
40	935	1233	510
42	1065	1400	674
44	1065	1400	690
46	1116	1442	861
48	1116	1442	880



Feature	Standard Fitment		Standard Material	Options Available*
	Yes	No		
Body	v		Carbon Steel	v
Sealing discs	v		Omnithane®	v
Cups		v	Omnithane®	v
Guide discs	v		Omnithane®	v
PU spacers	v		Omnithane®	
Steel spacers		v	Carbon steel	v
Circular brushes		v	Stainless steel wire	v
Spring mounted brushes	v		Stainless steel wire	v
Gauge plates		v	Aluminium	v
Magnets		v	Hard ferrite	v
Transmitter housing		v	Carbon steel	v
Bumper nose		v	Omnithane®	v
By-pass ports	v		-n/a-	v
Jetting head		v	Carbon steel	v



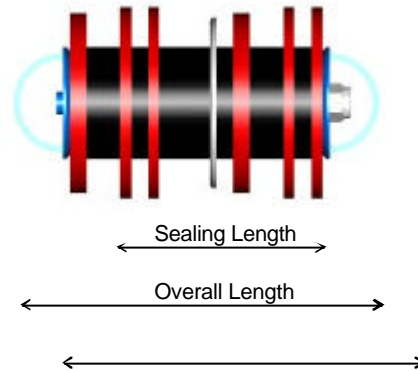
SLB-6

Product: Slik Bi-directional Pig (Single Bolt)
Grouping: Separation and batching
Version: 1.0

General function and application:

For bi-directional, separation and batching of products in a operational pipeline. Also useful for displacement, swabbing and line Clearance duties.

NS	Sealing Length	Overall Length
4 "	95	175
6 "	175	335
8 "	190	325
10 "	250	445
12 "	285	535
14 "	325	570



Feature	Quantity	Standard Material	Options Available
Body	1	Carbon Steel	Stainless Steel
Metal nose	2	Carbon Steel	Stainless Steel
Support disc	2	Omnithane®	
Sealing disc	4	Omnithane®	
Spacers disc	Depends on size	Omnithane®	
Centre spacer	2	Omnithane®	

- ? SLB-6 pigs made of a single bolt construction.
- ? Will negotiate ball and conduit valves.
- ? If tees with side entry branches above 70% of the pipeline diameter are used, the fitting of guide bars is recommended.
- ? Pig sizes of 6" to 14" will negotiate bends of 1.5D. Smaller sizes require 3D.



SLC-4

Product: Slik Bi-directional Pig (Single Bolt)

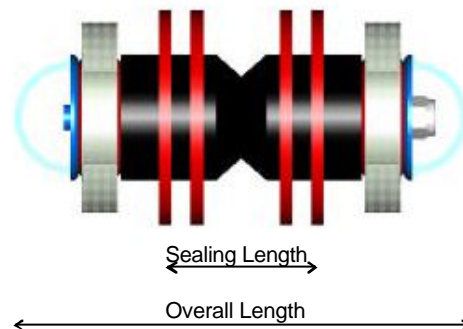
Grouping: Cleaning

Version: 1.0

General function and application:

For bi-directional removal of construction debris, liquid evacuation and product separation and batching.

NS	Sealing Length	Overall Length
4"	65	195
6"	130	342
8"	140	365
10"	185	505
12"	215	580
14"	215	580



Feature	Quantity	Standard Material	Options Available
Body	1	Carbon steel	Stainless steel
Metal nose	2	Carbon steel	Stainless steel
Circular brush	2	Carbon steel	Stainless steel
Sealing discs	4	Omnithane®	
Centre spacers	2	Omnithane®	
PU spacers	Depends on size	Omnithane®	

- ? SLC-4 pigs made of a single bolt construction.
- ? Fitted with circular stainless steel brushes and by-pass port optional to prevent build up of deposits in front of the pig.
- ? Will negotiate ball and conduit valves.
- ? If tees with side entry branches above 70% of the pipeline diameter are used, the fitting of guide bars is recommended.
- ? Pig sizes of 8" to 14" will negotiate bends of 1.5D. Smaller sizes require 3D.



Options for pipeline pigs

Feature	Available Options		Typical application
	Material	Design	
Body	Stainless Steel		Service corrosion
Seals	Super Omnithane® Hyper Omnithane® Omnithane® c/w Scrim Hyper Omnithane® c/w Scrim	Chamfered	Long run High temperature service or gas lines Long run, large reductions High temperature service or gas lines, large reductions "Hand" loading
Guides	Super Omnithane® Hyper Omnithane® Omnithane® c/w Scrim Hyper Omnithane® c/w Scrim	Segmented	Long run High temperature service or gas lines Long run, large reductions High temperature service or gas lines, large reductions Large reductions
Cups	Hyper Omnithane®		High temperature service or gas lines
PU Spacers		C/w magnets	Non-intrusive detection
Steel Spacers	Stainless Steel		Service corrosion
Circular Brushes	Carbon Steel Nylon		Client preference Coated pipe
Spring Mounted Brushes	Nylon		Coated pipe
Gauge Plate	Stainless Steel Coated Aluminium	Slotted	Service corrosion Coated pipe Low impact
Magnets	Neo Iron Boron		Increased power
Transmitter Housing	Stainless Steel	Exposed c/w cage Size	Service corrosion Electro magnetic Various manufacturers
Bumper Nose		Extended	For check valve or wye negotiation
By-pass		Additional	Regulate pigging speed
Jetting Head	Stainless Steel		Service corrosion

Our technical department is committed to the continual improvements of its products through Research and Design. We therefore retain the right to amend the above details. Please contact us direct for the latest specifications.